

EVZ SERIES

GENERAL PURPOSE

Metal Diaphragm Valves

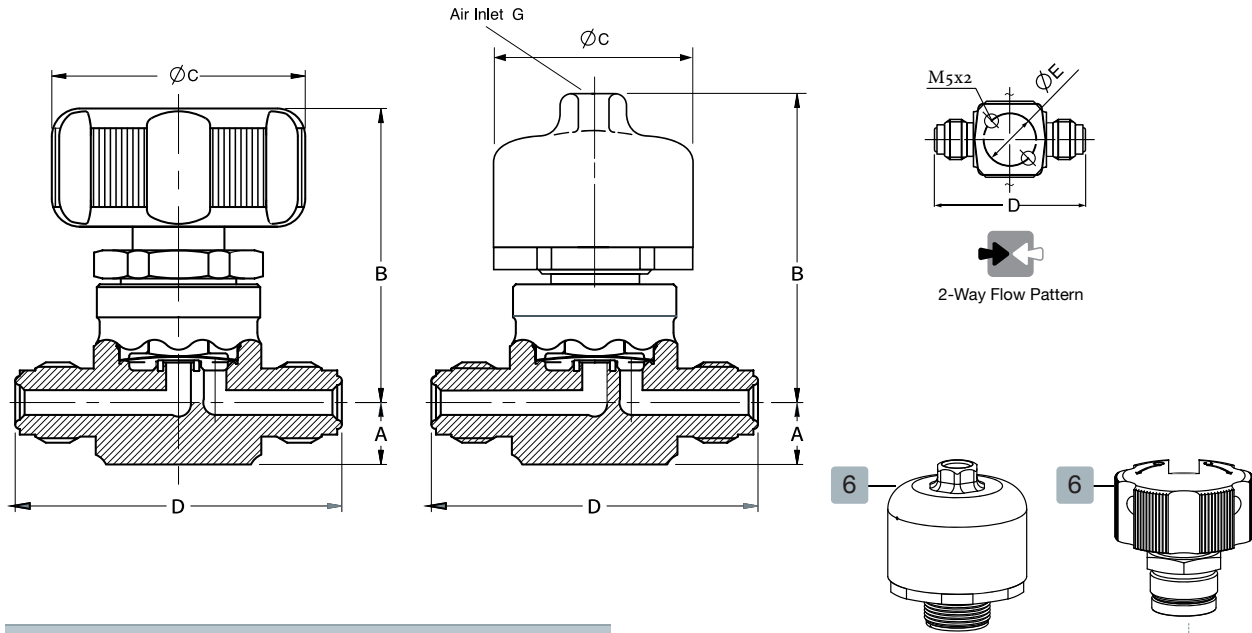
Economic implementations of Ultra-Clean Valves follow the traditions of HMJ UCV technologies.

- Available in sizes from 1/4" to 1/2" to support a wide range of connections.
- Standard with a 240-degree rotary handle with an open/close indicator.
- Over 20,000 open/close cycles.
- Electropolished item standard (LET-LOK® joint unpolished).
- Aluminum handle for compact, lightweight geometry.



The open/close indicator works on a follow-up basis. When opening or closing the valve, operate the handle until the handle hits the stopper.

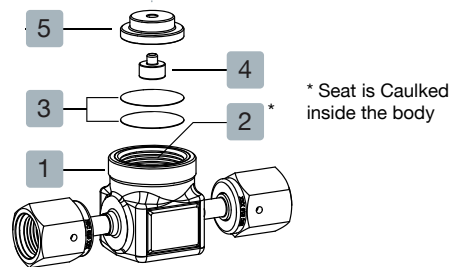
PART NUMBER / DIMENSIONS							
Part Number/ep	Size	End Connection	A	B	C	D	E
EVZS4R-BV	1/4	Male HTC®	11	(53)	45	58	25
EVZS4R-FV	1/4	Swivel Female HTC®	11	(53)	45	70.6	25
EVZS4R-I	1/4	LET-LOK®	11	(53)	45	(63.5)	25
EVZS6R-I	3/8	LET-LOK®	17.5	(58)	45	(79.5)	28
EVZS8R-BV	1/2	Male HTC®	17.5	(58)	45	76	28
EVZS8R-FV	1/2	Swivel Female HTC®	17.5	(58)	45	100	28
EVZS8R-I	1/2	LET-LOK®	17.5	(58)	45	(86)	28



SPECIFICATIONS					
Size	Pressure	Temp.	Cv	Leak Rates	
				Inboard	Across Seat
1/4	1MPa (150 psi)	-10 to 80°C	0.27	3X10 ⁻¹²	3X10 ⁻¹⁰
3/8				pa•m ³ /sec	pa•m ³ /sec
1/2				Helium	Helium

STRUCTURE		
Parts	Material	
1	Body	316L Stainless Steel (1)
2	Seat (Caulked)	PCTFE
3	Diaphragm	Co-Cr-Ni Alloy
4	Act. Button	304 Stainless Steel
5	Act. Button Holder	Stainless Steel, ASTM 630 H900
6	Actuation Device	Aluminum

(1) Single melt - VOD



ORDERING INFORMATION
For ordering, see page 410